

NEW

Height Adjustable Standing Desk Frame

Three-in-One Design

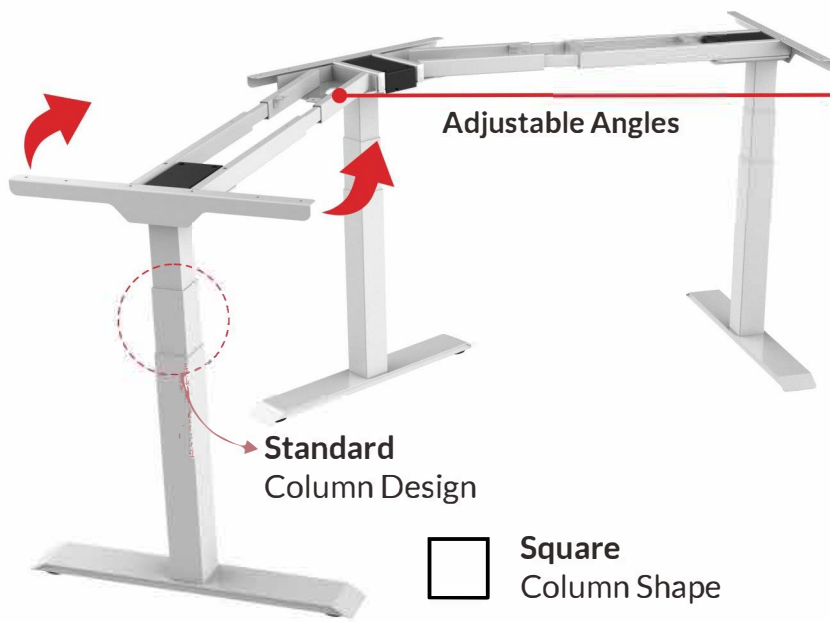
- L-Frame: 90°
- V-Frame: 120°
- I-Frame: 180°



When you're in need of a larger work surface, 3-Leg Height-Adjustable Standing Desk Frame is here to help. This frame allows the user to switch among L-shape, V-shape, and I-shape to suit their preference. Our height adjustable desk enables a user to effortlessly sit or stand, encouraging healthy movements throughout the day. With a clean, universal aesthetic, the height adjustable desk is easily incorporated into any office or home environment.

ET223T

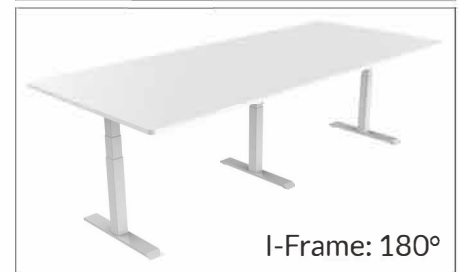
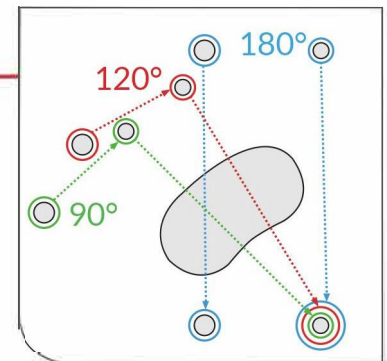
▪ Three-in-One Design ▪ Large Worksurface



□ Square Column Shape



represent models featured
"Ease of Maintenance"



SPECIFICATIONS

Max. Load Capacity:
330lbs/150kg

Speed:
38mm/s

Power Type:
100-127V/200-240V

Decibel:
<50dB

Stroke:
25.6"/650mm

Height Range:
22.8"-48.4"/580-1230mm

Recommended Tabletop Dimensions:

90°: 51.2"-74.8"/1300-1900mm, (2 sides)
23.6"-31.5"/600-800mm

120°: 43.3"-70.9"/1100-1800mm,
23.6"-31.5"/600-800mm

180°: 66.9"-114.2"/1700-2900mm,
23.6"-39.4"/600-1000mm

Frame Color: ■ ■ ■

FEATURES:

- It can be arranged in a variety of shapes among L-shape, V-shape, and I-shape at will to suit users' preferences.
- Triple-Motor system enables a more stable adjustment.
- Three programmable memory presets and sit/stand reminder system(Optional).